

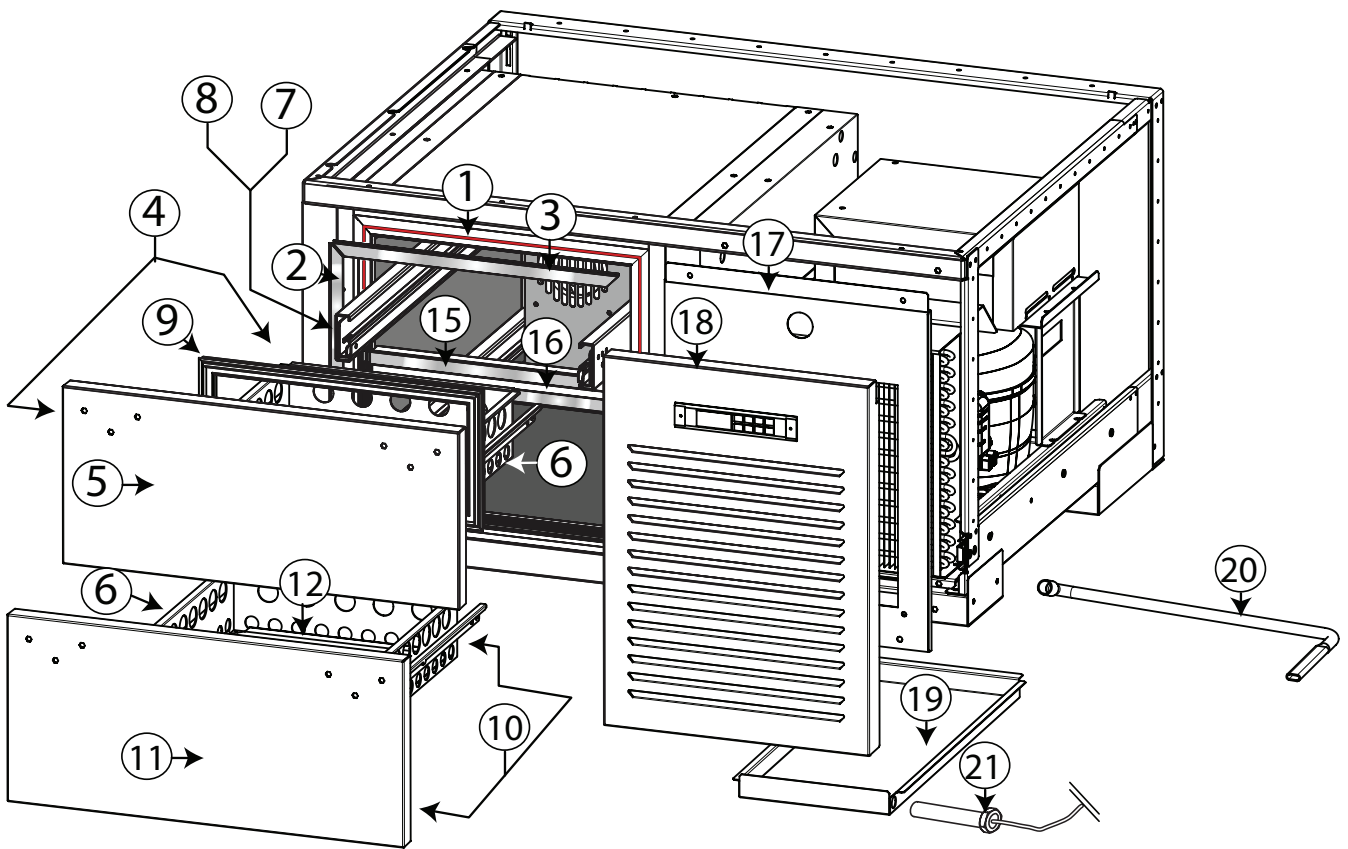
THERMALINE 80/85/90**EN REFRIGERATED BASE 1000**

PNC	Factory Model	Ref.	Description
588249	737014 MA6ADAJOBO	a	REF. BASE 2/DRAWERS, 1000X800MM
589344	737016 MC6ADAJOBO	b	REF. BASE 2/DRAWERS, 1000X900MM
588590	737023 MB6ADAJOBO	a	REF. BASE 2/DRAWERS, 1000X850MM
589715	737027 MC6ADAJOLO	c	REF. BASE 2/DRAWERS, 1000X900MM - USA
588477	737028 MA6ADAJOLO	d	REF. BASE 2/DRAWERS, 1000X800MM - USA
588480	737029 MA6EDAJOBO	e	REF. BASE 2/DRAWERS, 1000X800MM - R452A
589677	737031 MC6EDAJOBO	f	REF. BASE 2/DRAWERS, 1000X900MM - R452A
588716	737034 MB6EDAJOBO	g	REF. BASE 2/DRAWERS, 1000X850MM - R452A

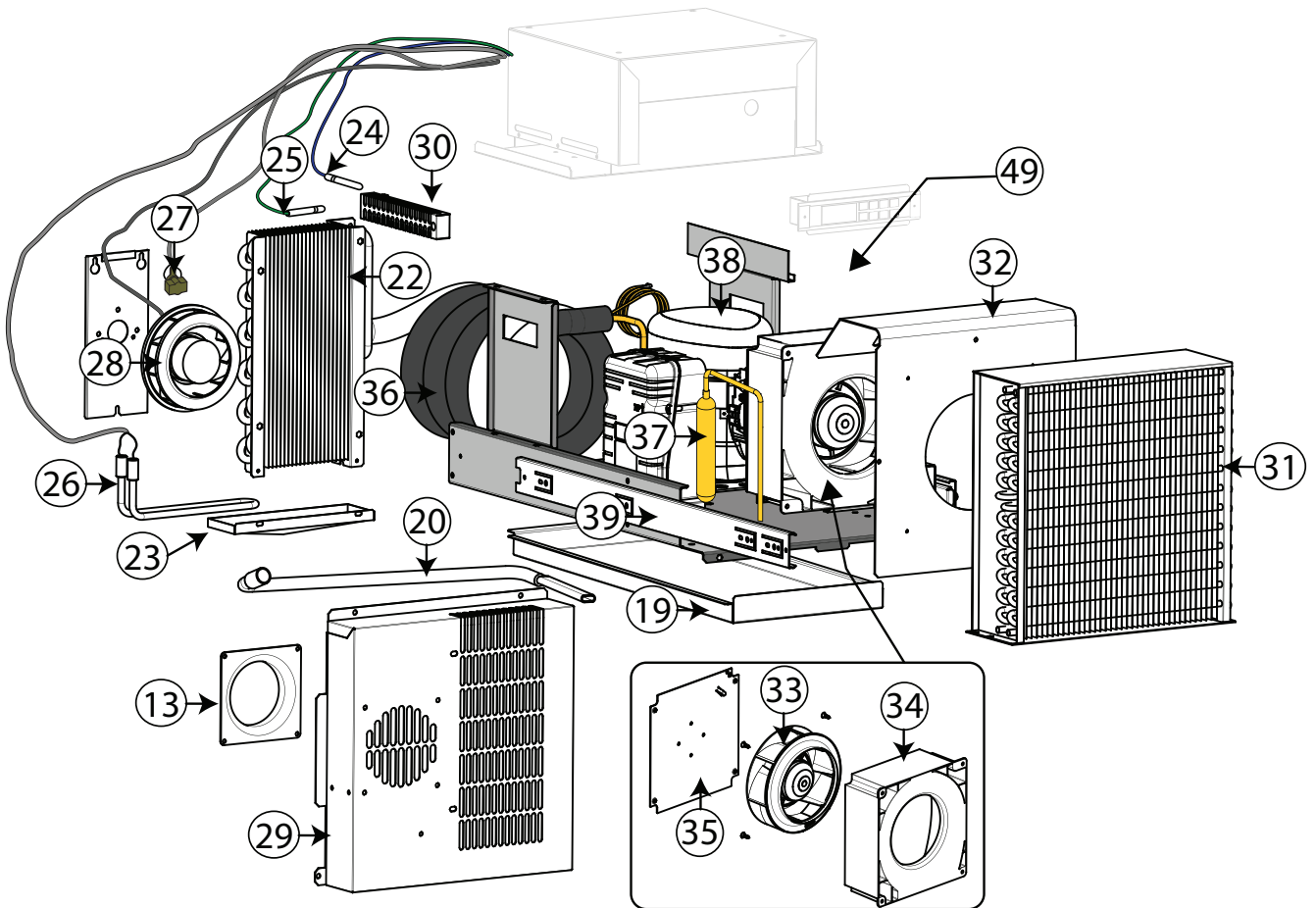
Page	Index	Last Updates	Page	Pos.
2	External body	29/10/2014	5	
3	Cooling Unit	11/2016	5	
4	Command panel	03/2017	all	
5	Spare part list	06/2018	5	
		04/2019	5	25
		10/2019	5-6	

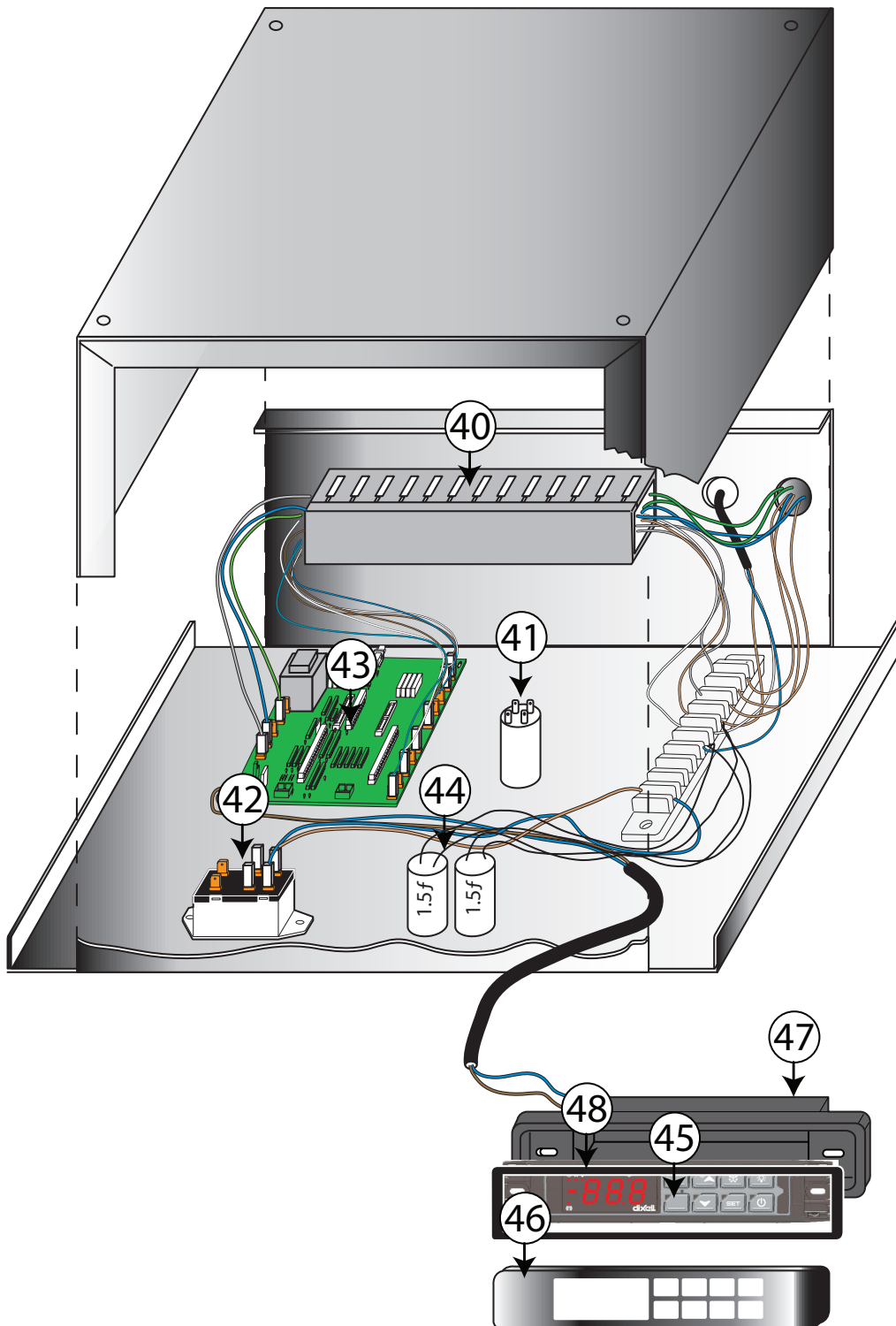
Valid from Ser. № 3311...

External body



Cooling unit





Pos.	Code	Factory code	Descrizione	Description	Bezeichnung	Ref./Notes
1	093967	617R09300	Cavo riscaldante	Hot frame cable	Heizleitung	a,b,e,f,g
1	095218	617R17200	Cavo riscaldante USA	Hot frame cable USA	Heizleitung USA	c,d
2	092608	500R01901	Riscontro verticale	Vertical frame	Vertikaler Rahmen	
3	092623	500R68801	Riscontro orizzontale	Horizontal	Horizontaler Rahmen	
4		835R37203	Ass.Cassetto alto	Upper Drawer	Obere Schublade	
5		875R26503	Frontale cassetto alto	Front upper drawer	Frontblende obere Schublade	
6		833R20401	Ass. involucro cassetto	Case drawer	Seiteneinsatz für Schublade	
7	092612	835R13000	Ass. guida DX	Right support for drawer	Rechte Führungsschiene	
8	092613	835R13100	Ass. guida SX	Left support for drawer	Linke Führungsschiene	
9	092625	548R02602	Guarnizione cassetto	Drawer gasket	Dichtung Schublade	
10		835R37303	Ass.Cassetto basso	Lower Drawer	Untere Schublade	
11		875R26602	Frontale cassetto basso	Front lower drawer	Frontblende untere Schublade	
12	092628	501R16100	Fondo Removibile	Bottom drawer	Bodeneinsatz für Schublade	
13	092648	546R11500	Convogliatore aria ventilatore	Fan conveyor	Strömungsaufsatz für Lüfter	
16	094894	502R60901	Riscontro per traversa	Frame for half support	Rahmen für Verstärkung mittig	
17		509R17603	Copertura condensatore	Condenser cover	Kondensatorblende	
18	094464	509R17501	Pannello frontale	Frontal panel	Frontblende Kondensator	Up to 4451...
18	094465	509R17502	Pannello frontale	Frontal panel	Frontblende Kondensator	From 4461... Up to 6351...
18	095418	509R17503	Pannello frontale	Frontal panel	Frontblende Kondensator	From 6361... Up to 7431...
18		509R17504	Pannello frontale	Frontal panel	Frontblende Kondensator	From 7441...
19		501R95101	Bacinella evaporazione	Evaporation basin	Verdunstungsbehälter	
20	093924	544R03600	Tubo per scarico condensa	Water discharge pipe	Wassertauschrohr	
21	092950	617R05200	PTC 230V	PTC 230V	PTC 230V	a,b,e,f,g
21	099935	617R05100	PTC 120V	PTC 120V	PTC 120V	c,d
22	092643	830R02402	Evaporatore 2R 12T	Evaporator 2R 12T	Verdampfer 2R 12T	
23	092644	500R68901	Ass. Bacinella evaporatore	Evaporator basin	Verdamperbecken	
24	092175	646R06900	Sonda cella "blu"	Cavity probe	Fühler blau	
25	092183	646R07800	Sonda evaporatore verde	Evaporator probe	Fühler grün	Up to 7421
25	096125	646R07701	Sonda evaporatore verde	Evaporator probe	Fühler grün	From 7431
26	093966	617R09200	Resistenza di sbriname. 150W	Heating Elem. defrost 150W	Heizelement zum Auftauen 150W	a,b,e,f,g
26	095217		Resistenza a stelo 115V/60hz	Heating Elem. defrost 115V/60hz	Heizelement zum Auftauen 115V/60hz	c,d
27	0A9671	648718900	Termost di sicurezza +40/+30	Safety thermostat +40/ +30	Sicherheitsthermostat +40/ +30	
28	093970	856R21700	Ventilatore 230/50/60HZ	Evaporator fan 230/50/60HZ	Verdunst-Ventilator 230/50/60HZ	a,b,e,f,g
28	095219	856R28100	Ventilatore 115/60 V/HZ	Evaporator fan 115/60 V/HZ	Verdunst-Ventilator 115/60 V/HZ	c,d
29	094627	501R07402	Convogliatore int .cella	Evaporator Carter	Abdeckung d. Verdunstungsein.	
30	092642	501R15100	Protezione sonda	Probe protection	Sondenschutz (Fühlerschutz)	
31	092649	830R02302	Condensatore 2R	Condensator 2R	Kondensator 2R	
32	094029	505R16101	Adattatore ventilatore	Fan adaptor	Lüfteraufsatz	Up to 4451...
32	094463	505R16103	Adattatore ventilatore	Fan adaptor	Lüfteraufsatz	From 4461...
33	094030	682F00100	Ventilatore gruppo condens.	Condensator fan	Lüfter Kondensatoreinheit	
34	094031	504F00B01	Custodia ventilatore	Protection Fan	Schutzabdeckung für Lüfter	
35	095166	504F00C01	Supporto ventilatore + mi- nuterie	Fan Support + screws	Lüfter-Unterstützung + Schrau- ben	
36	093929	858R13200	Ass. Scambiatore	Heating exchanger	Wärmetauscher	Up to 3461...
36	094174	858R13201	Ass. Scambiatore	Heating exchanger	Wärmetauscher	From 3471... up to 4451...
36	094467	858R13203	Ass. Scambiatore	Heating exchanger	Wärmetauscher	From 4461...
37	084078	805729802	Filtro deidratore 40 gr	Dehidrator filter 40 gr	Entwässerungsfilter 40 gr	b,f
37	083854	805731202	Filtro deidratore 40 gr	Dehidrator filter 40 gr	Entwässerungsfilter 40 gr	c,d
38	0T6191	684R04200	Compressore CAE9470 R404A	Compress. CAE9470 R404A	Kompressor CAE9470 R404A	till 05/2015
38	094462	684R10000	Compressore TECUMSEH	Compressor TECUMSEH	Kompressor TECUMSEH	a,b
38	094466	684R10300	Compr. TECUMSEH 115/60HZ	Compressor TECUMSEH 115/60HZ	Kompressor TECUMSEH 115/60HZ	c,d
38	096469	684R02C00	Compressore EMBRACO NEU6215GK	Compressor EMBRACO NEU- 6215GK	Kompressor EMBRACO NEU- 6215GK	e,f,g
39	093927	835R35900	Guida telescopica	Telescopic support	Teleskop-Befestigung	
40	092658	639R07800	Canalina 40x40	Cover cable	Kabelkanal 40 x 40	
41	093636	694R00700	Filtro antisturbo	Electrical filter	Elektronischer Entstörfilter	a,b,e,f,g

Pos.	Code	Factory code	Descrizione	Description	Bezeichnung	Ref./Notes
42	088267	684722900	Relè Omro 2A coil 200-240V	Relay	Relais 2A coil 200-240V	a,b
42		648723800	Relè Omro 2A coil 100-120V	Relay 100-120V	Relais 2A coil 100-120V	c,d
42	093848	648R06300	Relè Finder 66.82.8.230.0001	Relay Finder 66.82.8.230.0001	Relais Finder 66.82.8.230.0001	e,f,g
43	092960	646R09603	Scheda xw260K 230V	Main board xw260k	Hauptplatine xw260K 230V	a,b,e,f,g
43	092659	646R09502	Scheda xw260K 115V UL	Main board xw260k 115V UL	Hauptplatine xw260K 115V UL	c,d
44	091435	648R02400	Condensatore 1.5 400V	Capacitor 1.5 400 V	Kondensator 1.5 µF 400V	a,b,e,f,g
44	090089	648729500	Condensatore 5MF UL-CSA	Capacitor 5MF UL-CSA	Kondensator 5MF UL-CSA	c,d
45	094000	646R09700	Scheda interfaccia	User board	Bedienblende	
46	092958	530R04200	Cornice in acciaio termoreg.	Termoregulator frame	Frontabdeckung der Bedienblende	
47	092948	501R24500	Copertura termoregolatore	User board cover	Befestigung für Bedienblende	
48	092661	546R12600	Guarnizione termoregolatore	Termoregulator gasket	Schutzabdeckung f. Bedienblende	
49		877R65407	Ass. gruppo 1000 Gottardo	Ass. cooling unit 1000 got.	Kühleinheit thermaline 1000	a,b,e,f,g
49		877R74802	Ass. gruppo 1000 Gottardo USA (senza evaporatore)	Ass.cooling unit 1000 Gottardo USA (without evaporator)	Kühleinheit thermaline 1000 USA	c,d
*	085088	646728600	Pressostato G63 P3141	Pressure switch G63 P3141	Druckschalter G63 P3141	c,d
*	099869	646765300	Tappo fusibile UL 1/8'	Fuse holder cap UL 1/8'	Sicherungshalter UL 1/8'	c,d